

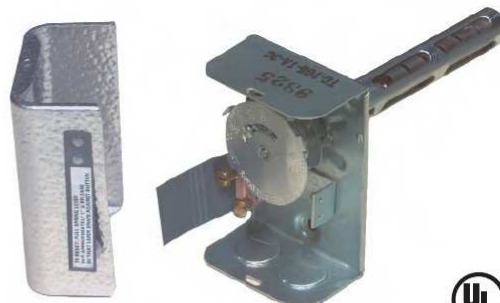


DUCT HIGH-TEMPERATURE LIMIT MODELS TC-105, TC-100

DESCRIPTION

Models **TC-105** and **TC-100** feature a helix bimetal element that senses rapid increases in duct temperature, such as in a fire, and operates an SPST switch that opens on a rise in temperature. A manual reset button will reactivate the models after the high-temperature condition has cleared.

SPECIFICATIONS	
Contacts	SPST N.C. mechanical latching
Electrical capacity	9.8 full load amps @ 115 VAC 4.9 full load amps @ 230 VAC
Element length	5" (12.7 cm) or 11" (27.9 cm)
Manual reset button	External access
Setpoint range	100° to 250°F (38° to 122°C) field adjustable, factory set @ 125°F (51.6°C)
Differential	25°F (13.8°C) fixed
Agency approvals	UL listed, File #MH7076
Weight	
TC100	1 lb (0.48 kg)
TC105	0.75 lb (0.36 kg)
Warranty	1 year

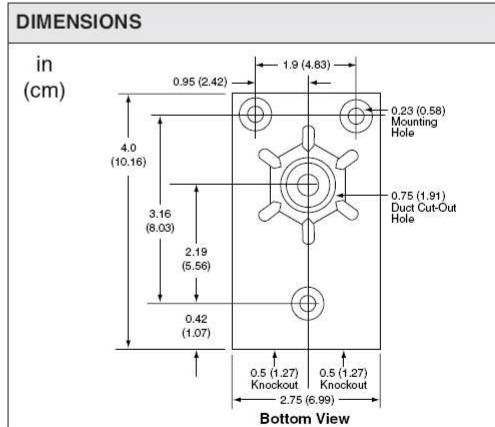
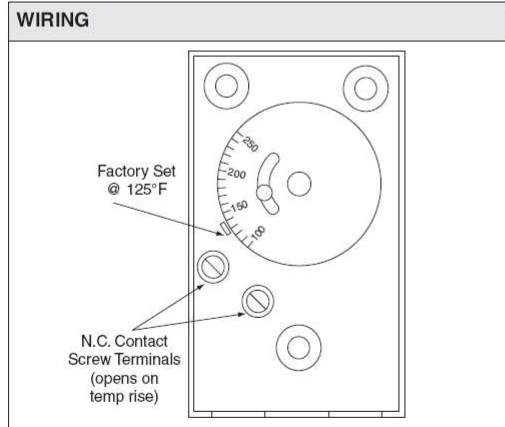


TC-105-1A-3C



FEATURES

- *Low-cost duct high-temperature limit control*
- *Adjustable setpoint*
- *Manual reset*
- *UL listed*



ORDERING INFORMATION

MODEL	DESCRIPTION
TC-100-1A-3C	Duct high-temperature limit with 11" (27.9 cm) element and adjustable setpoint
TC-105-1A-3C	Duct high-temperature limit with 5" (12.7 cm) element and adjustable setpoint