
HTC SERIES



HTC- 4 2 HEAT/2 COOL TEMPERATURE CONTROLLER

The HTC-4 temperature controller is primarily designed for the control of 2 Heat and 2 Cool air-conditioning units.

All output relays are voltage free, permitting use on either 240 V or 24 Volt circuitry.

Stage switch on points are individually adjustable with their ON/OFF status displayed via LED indicators.

The HTC-4 controller is ideally suited for DIN rail mounting in a switchboard, or directly inside the A/C unit if required.

Features

- Australian made and designed.
 - Dual supply voltage 24v or 240v A.C (User Selectable)
 - 10 AMP (resistive) Potential free relay contacts.
 - L.E.D Indication of all outputs.
 - Various remote sensor options available.
 - Mounts in most M.C.B enclosures.
 - Compatibility to package AC units and Heat Pumps.
-

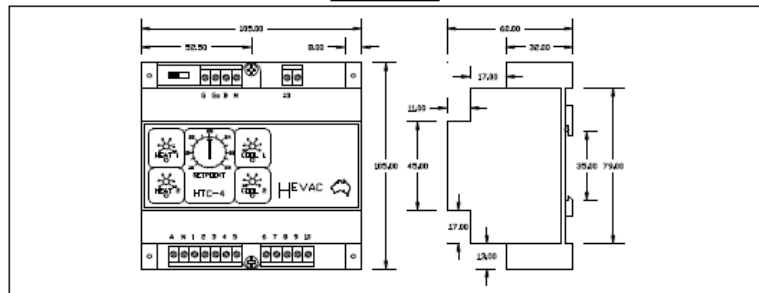
HEVAC CONTROLS

HTC-4 Technical Specifications

Power supply (Factory Set to 240VAC)	24VAC or 240VAC (User Selectable)
Power consumption 240 volts	7 VA
Power consumption 24 volts	1 VA
Heating and Cooling relay outputs	240VAC 10 amp resistive 3 amp inductive
Temperature range (Factory Set to 22oC)	16 to 28 Degrees Centigrade
Switching differential for STAGE 1	0.3 Degrees Centigrade (NON-Adjustable)
Switching differential for STAGE 2	0.7 Degrees Centigrade (NON-Adjustable)
Stage start point adjustment range	0.5 to 5.0 Degrees Celsius (From Setpoint)
Stage start point (Factory Settings)	Stage 1= 1.0 oC Stage 2= 2.0 oC
Output indication	Green LED for Cooling Red LED for Heating
Mounting method	35mm DIN rail (Not supplied)

Dimensions

ALL DIMENSIONS IN MILLIMETERS

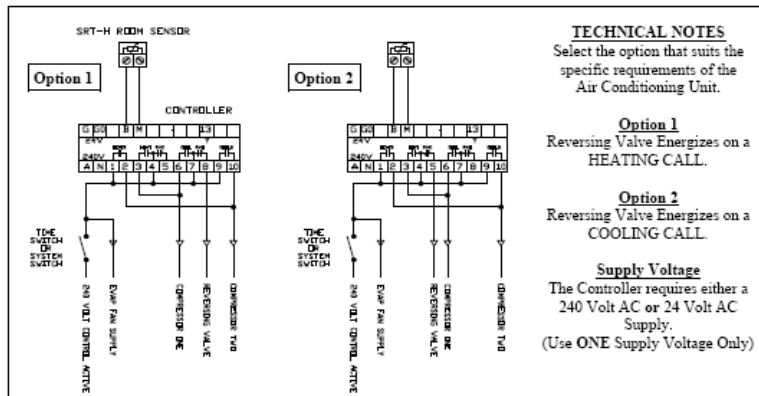


Terminal Designations

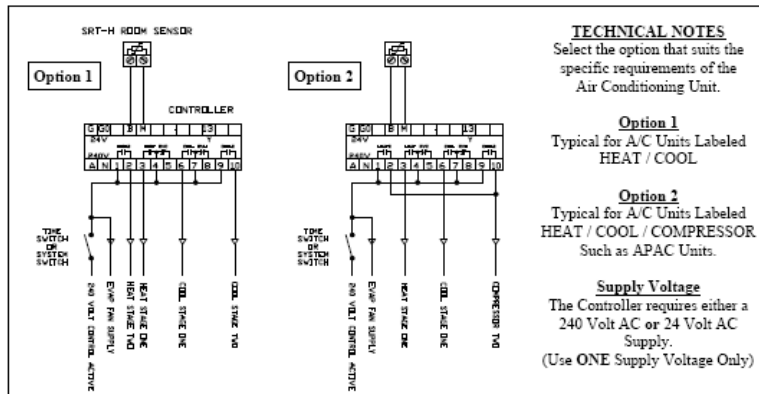
G	24 VOLT AC SUPPLY ACTIVE	3	HEATING STAGE 1 OUTPUT
Go	24 VOLT AC SUPPLY GROUND REFERENCE	4	(HEATING STAGE 1 & R/V FOR COOL) COMMON
B	SENSOR INPUT	5	REVERSING VALVE FOR COOLING OUTPUT
M	SENSOR INPUT COMMON	6	COOLING STAGE 1 OUTPUT
13	Y SIGNAL OUTPUT	7	(COOLING STAGE 1 & R/V FOR HEAT) COMMON
A & N	240 VOLT AC SUPPLY	8	REVERSING VALVE FOR HEATING OUTPUT
1	HEAT STAGE 2 COMMON	9	COOLING STAGE 2 COMMON
2	HEATING STAGE 2 OUTPUT	10	COOLING STAGE 2 OUTPUT

HEVAC CONTROLS

HTC-4 Electrical Schematics for Compressor Reversing Valve Type A/C Units



Electrical Schematics for Heat / Cool Type A/C Units



Quick Test Information

All HEVAC Controllers are Factory Calibrated, and Pre-set to Industry Standard Defaults prior to dispatch. If you require further information on these Settings please Refer to the Technical Specifications Page.

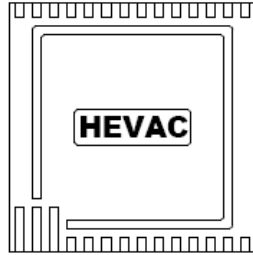
To quickly confirm that a controller is wired to the correct sensor and to TEST for Heating & Cooling Changeover the following procedure can be carried out.

- STEP 1: Dial setpoint up or down until you do not have a Heating or Cooling call. (is Dead band Position)
- STEP 2: Open circuit the sensor wires at the Sensor. The controller should go into full COOLING Mode.
- STEP 3: Short circuit the sensor wires at the Sensor. The controller should go into full HEATING Mode.

SRT-H

Wall Mount Room Temperature Sensor (Non-Adjustable)

HEVAC CONTROLS

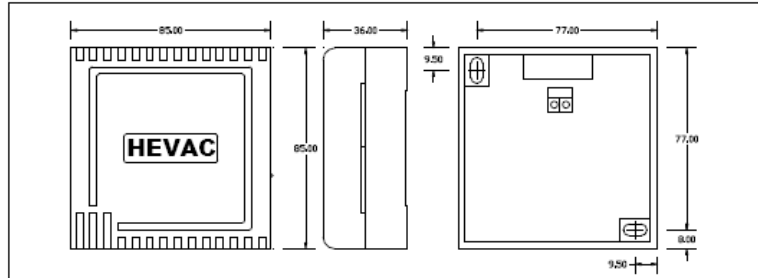


The **SRT-H** is a wall mount room temperature sensor. It is suitable for use with the HTC 4 analogue series temperature controller.
Constructed from high impact ABS plastic, the housing is specifically designed with sensor sensitivity in mind making the **SRT-H** very responsive even in low airflow situations.
Cable entry is from the rear with side knockouts for cable duct on three sides, allowing for easy electrical installation.

Technical Specifications

Control range	16 to 28 Degrees Centigrade
Time constant	3 Minutes
Thermistor characteristics	PTC 2000 ohms at 25 Degrees Centigrade
Housing material	UV Stabilised ABS-Plastic
Housing Colour	Cream
Enclosure	IP 31
Measuring Accuracy	+/- One Degrees Centigrade

Dimensions



Thermistor Resistance Characteristics

Temp	Ohms	Temp	Ohms	Temp	Ohms	Temp	Ohms	Temp	Ohms	Temp	Ohms
10.00	1776	14.00	1834	18.00	1894	21.00	1939	23.00	1969	26.00	2015
11.00	1790	15.00	1849	19.00	1909	21.50	1946	23.50	1977	27.00	2031
12.00	1805	16.00	1864	20.00	1924	22.00	1954	24.00	1985	28.00	2047
13.00	1820	17.00	1879	20.50	1931	22.50	1962	25.00	2000	29.00	2062